

PARD



User Manual

Ocelot Series

Thermal Imaging Device

Important Reminder

1 All PARD products are exclusively designed for civilian use and strictly prohibited for any military purposes.

2 All PARD products are not authorized for export to, including but not limited to Russia, Belarus, Palestine, Israel, Sudan, South Sudan, and other conflict zones.

CONTENTS

1. INTRODUCTION	01
2. PRECAUTIONS	02
3. PACKAGE CONTENTS	03
4. DESCRIPTION & KEY FEATURES	03
5. SPECIFICATIONS	05
6. COMPONENTS	08
7. INSTALLATION	08
8. OPERATION INSTRUCTION	15
8.1 Shortcut Mode	20
8.2 Menu Mode	18
9. FCC WARNING	30

INTRODUCTION

Thank you for your continued support and for choosing PARD Ocelot Series thermal imaging camera. Please read this manual carefully before using the device for the first time. Please follow the instructions in this manual to avoid any damage caused by improper use and to ensure that your device operates properly.

After reading, please keep this manual in a safe place, for future reference. This manual provides step-by-step instructions on how to use your digital camera and is intended for your reference only.

Please note that PARD reserves the right to update this manual without prior individual notifications. For the latest information and updates, we recommend you to visit our official website. Additionally, PARD reserves the final right of interpretation of this manual.

PRECAUTIONS

- Please remove the insulating tape on the battery before first use. It is recommended to use a fully charged lithium-ion battery with a rated voltage of 3.7V.
- Please turn off the device and remove the battery when it's not in use for more than 10 days, and store the device & battery in a dry and safe place.
- Be extra cautious and handle the device with care during use or transportation. It is recommended to use the original packaging during transportation.
- Do not use the device to focus directly on strong sources of light such as the sun or electric welding. The detector may be damaged and it will void the warranty.
- Avoid lens scratches and damage caused by oil or chemical contamination of the lens. Keep the lens cap on when not in use.
- The device should be placed in a cool, dry, and ventilated environment without strong electromagnetic fields, and the storage environment temperature should not be lower than (-30°C/-22°F) or higher than (55°C/131°F).
- Do not disassemble the device without authorization. If you encounter any problems, please contact our after-sales team and report them on our official website. Failure to do so will render the warranty service null and void.
- Attention! All PARD night-vision and thermal imaging devices require a license when exported to outside your country.

PACKAGE CONTENTS

Icons	Contents	Quantity
1	Ocelot 480/640 Unit	1
2	Mount	1
3	Fastening screw	3
4	Shim	2
6	Allen wrench	2
7	Type-C cable	1
8	21700 Rechargeable Lithium-Ion battery	1
9	Drawstring bag	1
12	Rubber eye cup	1
13	Cloth	2

DESCRIPTION & KEY FEATURES

Ocelot Series

Compact design with a 100mm long eye relief and a round display provides users with the same hunting experience as a traditional

optical scope. Coupled with an upgraded sensor boasting a resolution of 640512/480360 and NETD \leq 20mK, aiming to deliver vivid, more detailed images with high clarity.

An integrated 1000m LRF eliminates the trouble of additional installation and offers real-time distance measurement between you and your target. The ballistic calculator also provides real-time estimates of impact points, helping you make precise shooting decisions. The one-shot zeroing solution allows you to shoot, move the reticle to the impact point, and save the data, enhancing shooting efficiency and saving bullets.

Video recording, PIP, IP67 waterproof rating, 6000J recoil resistance, WiFi connection, and other functions bring you a more user-friendly hunting adventure.

The Ocelot series will undoubtedly become the best hunting partner.

Key features

<ul style="list-style-type: none">• 100MM Long eye-relief• 800*800 IPS circular screen• 1000m/1200yds LRF• One-shot zeroing• Ballistic calculator• NETD \leq 20mK	<ul style="list-style-type: none">• Infrared Image Enhancement Algorithm (IREA)• Recoil-activated recording• WiFi• IP67 rating• 6000J recoil resistance
---	---

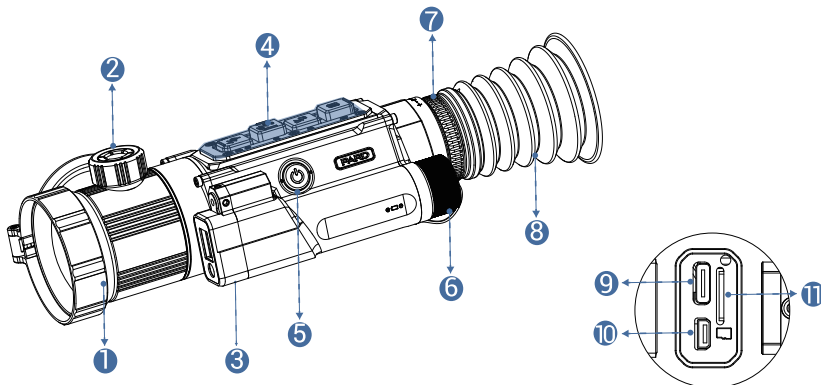
SPECIFICATIONS

Model		Ocelot 480	Ocelot 640
Classification		Thermal Imaging scope	
Sensor			
Type		Uncooled Vox IR Sensor	
Resolution(pixel)		480*360	640*512
Pixel Size(μm)		12*12	12*12
NETD		≤20mK(0.020)	≤20mK(0.020)
Frame Rate(Hz)		50	50
Detection Distance(m)		1800/2600	2600
Image Engine		PARD IREA	PARD IREA
Objective			
Objective lens(mm)		35/50	50
Optical Magnification(x)		2.1/3	2.2
Digital Zoom(x)		2/4/6/8	2/4/6/8
Field of View (HxV)	Horizontal	7.1°/5.0°	7.0°
	Vertical	7.1°/5.0°	7.0°
	Diagonal	10.0°/7.0°	9.9°
Eye Relief(mm)		100	100
Diopter Adjustment(D)		-5~+3	-5~+3

Display	
Type	IPS
Resolution(pixel)	800*800
Reticle Style	6
Reticle Color	4(Red/White/Yellow/Green)
Scene Mode	City/Rain/Forest
Image Mode	WT-HOT/BK-HOT/EDGE/RD-HOT/IN-HOT/SKY
Photo / Video	
Photo Resolution(pixel)	1536*1536
Photo Format	JPG
Video Resolution(pixel)	768*768
Video Format	mp4
Storage(GB)	Micro SD card (Max. 128G)
Main Function	
LRF Detection Range(yd/m)	1200/1000
PIP	Yes
Gyroscope	Yes
Loop Recording	Yes
Hot track	Yes
E-compass	Yes
Ballistic Calculator	Yes

Shutter	Mechanical shutter
Microphone	Yes
Firmware Upgrade	Yes
Connections	
USB Type-C	Yes
HDMI Output	Yes
WiFi	Yes
Supported Apps	PardVision2
Power Supply	
Battery type	Li-ion 21700*1
Output Voltage(V)	3.7
Operating Time(h)	≤5
External Power Supply Type	Type-C
Environmental characteristic	
Degree of Protection	IP67
Operating Temp(°C/°F)	-30 ~ +55 / -22 ~ +131
Recoil Resistance(J)	6000
Material	
Housing	Aluminum Alloy
Objective lens	All-glass multi-coated lens

COMPONENTS



No.	Name	No.	Name
①	Objective Lens	⑦	Diopter Adjustment Ring
②	Objective Lens Focusing Ring	⑧	Rubber Eyepiece
③	LRF Module	⑨	Type-C Port
④	Keypad	⑩	HDMI Port
⑤	Power/Sleep Button	⑪	Micro SD Card Slot
⑥	Battery compartment		

INSTALLATION

1. Unboxing

Before using this device, please do the following:

- ① Open the box and remove the device.
- ② Check to ensure that the package contents listed above are all included in the box.
- ③ Check the device for any damage to the display, body, lens, buttons, etc.
- ④ Make sure that the objective lens and eyepiece are clean & functioning properly.

Note: If any accessories are missing or damaged, please contact our after sales service.

2. Battery Installation and Startup

The battery installation steps are as follows:

- (1) Turn the battery cap counterclockwise to open it and remove the battery.
- (2) Remove the insulating tape.
- (3) Put the positive pole (+) of the battery inwards, then rotate the battery cap clockwise until it is tightly locked in place.
- (4) To turn on the device, press and hold the power button for about 3 seconds. (When the power light illuminates and the PARD Logo appears on the screen, the device is ready for use.)

Note:

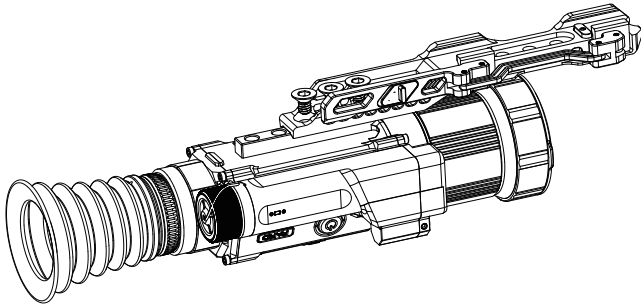
- 1 Please use a single 21700 rechargeable lithium-ion battery rated 3.7V voltage.
- 2 Do not expose the battery pack to high temperature or to a naked flame.
- 3 Do not put the device into water when the battery cover is open;
- 4 Do not expose disassemble the device without authorization;
- 5 Do not pierce the device with sharp objects;
- 6 Battery should be kept out of reach of children, and the positive and negative terminals Whilst charging the battery do not leave the battery unattended.
- 7 When using the battery at cold(low) temperatures, the battery capacity decreases, this is normal and not a defect.
- 8 Do not use the battery if it has been damaged in any way.
- 9 After charging is complete do not leave the battery on charge connected to the network.



Please act responsibly and recycle or dispose of all used batteries according to the law.

3. Mount Installation

To ensure optimal performance and user experience, we highly recommend using our original mount provided in the product packaging.



- ① Open the box and take out the thermal imaging scope, 1 mount and 1 Allen wrench.
- ② The device features 5 mounting holes located at the bottom.
- ③ Attach the mount securely to the bottom of the device using the Allen wrench and screws.
- ④ The mount is compatible with Picatinny rail.

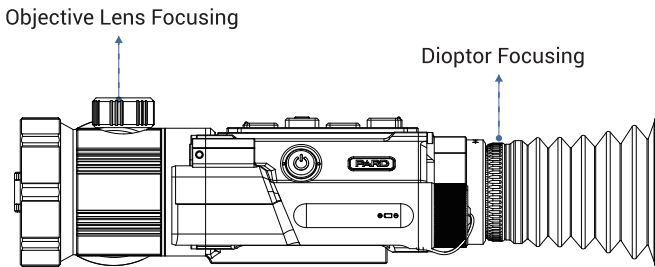
4. Diopter Focusing

Diopter focusing is used to clearly see the content displayed on the screen.

- ① After power on the device, rotate the diopter focusing wheel until you can see the screen clearly.
- ② Please note that the image may not be clearly visible before objective lens focus adjusted, only the words and icons on the display are clearly visible at this stage.

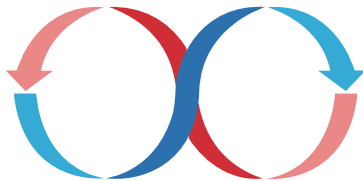
5. Objective Lens Focusing

- 1 Before you focus the objective lens, ensure that the diopter focusing has been completed.
- 2 Aim at the target you want to see, and rotate the focusing knob of the objective lens until you can see the target image clearly.



6. Compass Calibration

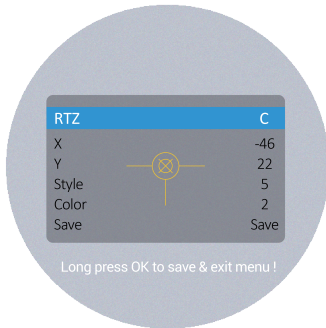
Users are required to tilt and move the device in a figure 8 motion until the compass is calibrated, as shown in the picture.



7. Zeroing (Retical Adjustment)

Reticle adjustment refers to aligning the reticle with the impact point at a specific zeroing distance, ensuring that the aiming point corresponds accurately with the point of impact of the bullet.

1. Interface Explanation



RTZ: 5 groups dates of zeroing from A-E can be saved.

"X": the reticle will move along X-axis when you adjust the values.

"Y": the reticle will move along Y-axis when you adjust the values.

Style: 6 styles of reticle to choose from.

Color: 4 colors of reticle to choose from (red/white/yellow/green).

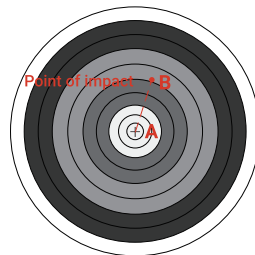
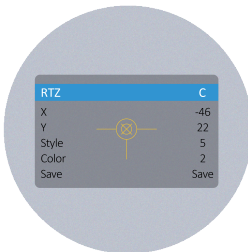
Save: Choose whether to save the adjustments.

2. Zeroing steps

- 1 Set the target:** Set the target at the zeroing distance and ensure that the device can obtain a good image.
- 2 Enter to reticle adjustment (Zeroing page):** In the home screen mode, single press [Key 4] to enter menu mode, and press [Key 3] to move the cursor to the choose the "Reticle Aadjustment" setting option. Press [Key 2] to enter it.

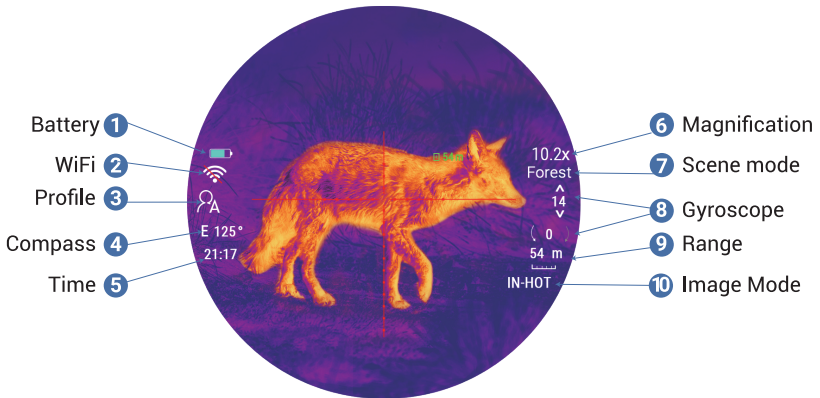


- 3 **Profile setting:** After entering the zeroing page, choose "RTZ" items from A-E to create a new zeroing profile or edit an existing one.
- 4 **Shoot:** Fire a shot at the center of the target, ensuring that you can see a clear point of impact[Point"B"] on the screen after the shot has been taken.



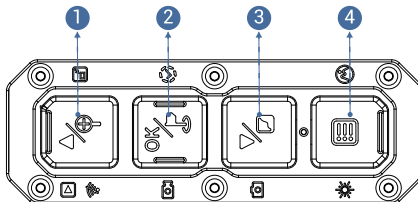
- 5 **Adjust zero value:** Keep the scope steady after shooting, and then press the [key 2] to move the cursor to the "X" or "Y", press [Key 1]/[Key 3] to adjust the values of "X" and "Y" until the reticle aligns with the impact point[move the reticle from point"A" to point"B"].
- 6 **Save and exit:** Press [Key 2] to move the cursor to "SAVE", choose if to save the zeroing date or not.

OPERATION INSTRUCTION



Shortcut Key Mode

Power Key



	Single press	Press and Hold	Double Press
① Key 1	Up/Zoom in	File/Turn off WiFi	Turn on/off PIP
② Key 2	OK/LRF/Ballistic Calculator	Record/Save video	Shutter correction
③ Key 3	Down/Switch image mode	Take photos	/
④ Key 4	Menu/Back	/	Switch scene mode
Power Key	Sleep mode	Power on/off	/

Explanation:

Key 1

1. Single press

- ① Home screen mode: single press [Key 1] to zoom in;
- ② Menu mode: single press [Key 1] to scroll up or adjust the values;

2. Press and Hold

Home screen mode:

- ① After pressing and hold [Key 1], the video and picture files stored on the micro SD card will be displayed.
- Press [Key 1]/[Key 3] to switch among files.
 - Press [Key 2] to play/pause the video.
 - When playing videos, press [Key 1] to fast forward at 2x/4x/8x times.
 - Single press the [Key 4] button to access the following settings:

(1) Delete	(2) File Protection	(3) Slide Show
<ul style="list-style-type: none">• Delete Current• Delete All	<ul style="list-style-type: none">• Lock Current• Unlock Current• Lock All• Unlock All	<ul style="list-style-type: none">• 2 seconds• 5 seconds• 8 seconds

Note: Press [Key 1]/[Key 3] to move the cursor among "Delete", "Protect" and "Slide Show"; press [Key 2] to enter the sub-menu, press [Key 4] to return the parent menu, press [Key 4] again to return to the file.

Long press the [Key 4] button to return the home screen.

② When the WiFi is on, press and hold the [Key 1] to turn off WiFi.

3.Double press

Home screen mode: double press [Key 1] to turn on or turn off the Picture-in-picture function;

Key 2

1.Single press

Home screen mode: single press [Key 2] to turn on the LRF; single press [Key 2] again to turn on ballistic calculator.

Menu mode: single press [Key 2] to confirm.

2.Press and hold

Home screen mode: press and hold [Key 2] to record a video. press and hold [Key 2] again to save the video.

3.Double Press

Home screen mode: press and hold [Key 2] to turn on the shutter correction.

Key 3

1.Single press

Home screen mode: single press [Key 3] to switch image mode among WhiteHot/BlackHot/RedHot/Fusion1/Fusion2/IronRed1/IronRed2;

Menu mode: single press [Key 3] to scroll down and adjust relative value.

2.Press and hold

Home screen mode: press and hold [Key 3] to take photos.

Key 4

1.Single press

Home screen mode: single press [Key 4] to turn on the menu.

Menu mode: single press [Key 4] to return to the previous menu.

2.Double press

Home screen mode: double press [Key 4] to switch scene among City/Forest/Rain.

Menu Mode

Home screen mode: single press [Key 4] to enter menu mode. (the shortcut key function is invalid at this time).

1. Image Setting

Users can adjust the image contrast, brightness, detail, sharpness and mode under this setting.

- Press [Key 4] to enter the image setting option, press [Key 2] to enter the sub-menu.
- Press [Key 2] to switch between contrast/brightness/detail/sharpness/mode options, and press [Key 1]/[Key 3] to adjust the option value.
- Press [Key 4] to exit.

Upon the next startup, the device will maintain the saved image settings.

2. Display Brightness

Users can adjust the display brightness of the screen to adapt to different surroundings.

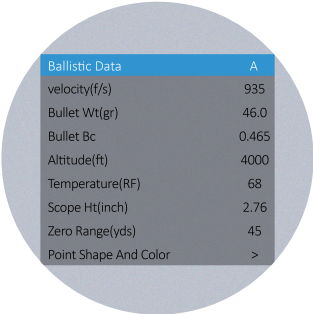
- Press [Key 4] to enter the menu, press [Key 3] to move the cursor to the display brightness option, press [Key 2] to enter the sub-menu.
- Press [Key 1]/[Key 3] to move the cursor to select "level 0"/"level 1"/"level 2"/"level 3"/"level 4"/"level 5"/"level 6" options.
- Press [Key 4] to save and return to the home page.

3. Ballistic Calculator

The ballistic calculator can calculate bullet trajectories and give you a precise aiming point enabling you to accurately place your shot. The device supports five profiles allowing you to use the scope on multiple rifles.

- Press [Key 4] to enter the menu, press [Key 3] to move the cursor to the ballistic calculator option, press [Key 2] to enter the sub-menu..
- Press [Key 1]/[Key 3] to move the cursor to select "parameters" or "on/off" and then press [Key 2] to save or enter.
- After entering the ballistic calculator parameters sub-menu, press [Key 2] to scroll up or down to the parameters option you want to change. Press [Key 1]/[Key 3] to adjust the value of the corresponding parameter.

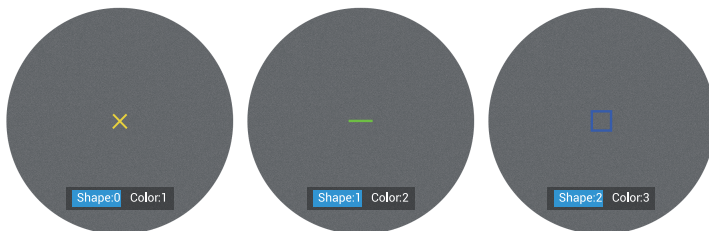
Parameter settings guide:



Ballistic Data	A
velocity(f/s)	935
Bullet Wt(gr)	46.0
Bullet Bc	0.465
Altitude(ft)	4000
Temperature(RF)	68
Scope Ht(inch)	2.76
Zero Range(yds)	45
Point Shape And Color	>

The first step to ballistic calculator is to fill out the profile that is being used with all relevant data such as target velocity, bullet weight and zero range.

- **Ballistic Data:** There are 5 sets of ballistic data profiles (A-E) that can be saved. To create a new profile, Press [Key 1]/[Key 3] to switch among A, B, C, D and E.
- **Velocity:** the travel speed of bullet after it is fired from your rifle.
- **Bullet Wt:** the weight of the bullet, which can be obtained from the manufacturer's specifications of the bullets purchased.
- **Bullet BC:** refers to bullet ballistic coefficient which is a measure of the bullet's ability to overcome air resistance in flight. Data can be obtained from the manufacturer's specifications of the bullets purchased.
- **Altitude:** refers to the altitude of the location, expressed in "meters" (m) or "feet" (ft), which is one of the important indicators affecting air density in ballistic calculation.
- **Temperature:** refers to the temperature of the location, expressed in "Celsius" (°C) or "Fahrenheit" (°F), which is also one of the important indicators affecting air density in ballistic calculation.
- **Scope Ht:** the height difference between the center of the scope's objective lens and the center of the gun barrel, expressed in "millimeters" (mm) or "inches" (inch).
- **Zero range:** the distance where the rifle is zeroed.
- **Point Shape and Color:** There are three shape options as well as yellow/green/blue color options to customize the ballistic calculator indicator point.



- Press [Key 1] to enter the shape and color setting interface.
- Press [Key 2] to switch between shape options and color options.
- Press [Key 1]/[Key 3] to select the desired shape and color.
- Press [Key 4] to save and return to the previous page.

Note:

If you do not know all or part of this information (for example, bullet weight), we recommend contacting the manufacturer of the ammunition and/or weapon that you are using. In most cases, this information can be found on the manufacturer's specifications of the product purchase

4. Range Unit Selection

Users can choose "meter" or "yard" as the unit of measurement for the device according to their habits.

- Press [Key 4] to enter the menu, press [Key 3] to move the cursor to move the cursor range unit selection option, and press [Key 2] to enter the sub-menu.
- Press [Key 1]/[Key 3] to choose between "meter" or "yard", then press [Key 2] to save and return to the previous page.

5. Reticle Adjustment

Reticle Adjustment refers to aligning the reticle with the impact point at a zeroing distance, so that the position of the aiming point at this specific distance corresponds with the point of impact of the bullet.

- Press [Key 4] to enter the menu, press [Key 3] to move the cursor to the reticle adjustment setting option. Press [Key 2] to enter the sub-menu interface.
- Press [Key 2] to move the cursor among "A", "X", "Y", "Style", "Color", "Save".
- Press [Key 1] / [Key 3] to adjust the values.
- Long press [Key 4] to save and return to the home screen.

6. Gyroscope

This function measures the orientation of the device so that the yaw and pitch angles of the device can be displayed and calibrated.

- Press [Key 4] to enter the menu, press [Key 3] to move the cursor to move the cursor to the gyroscope setting option, and press [Key 2] to enter the sub-menu.
- Press [Key 1]/[Key 3] to select "Display" or "Calibration", and then press [Key 2] to enter it.
(1)"Display" indicates whether (or not) to display the yaw and pitch angle of the device on the home screen. Press [Key 1]/[Key 3] to select "Off" or "On", and press [Key 2] to save and exit.
(2)"Calibrate" means to enter the calibration state. After selecting, please place the device on a horizontal plane surface, and press [Key 2] to perform automatic calibration. After calibration, the device will automatically return to the home screen.

7. Scene

There are three scene modes, "City", "Forest" and "Rain". Users can choose any of the available scenes to achieve the best image display effect.

- Press [Key 4] to enter the menu, press [Key 3] to move the cursor to move the cursor to select "City", "Forest" or "Rain".
- Press [Key 2] to save and return to the previous page.

8. Picture in Picture

The PIP mode displays a 2x magnified reticle area in the top of the screen, allowing you to see magnified target details without losing the field of view.

- Press [Key 4] to enter the menu, press [Key 3] to move the cursor to the PIP setting option, and press [Key 2] to enter the sub-menu.
- Press [Key 1]/[Key 3] to move the cursor to select "Off" or "On".
- Press [Key 2] to save and return to the previous page.

9. Hot Track

The device can detect and display the highest temperature point on the screen, and automatically track this target heat source.

- Press [Key 4] to enter the menu, press [Key 3] to move the cursor to the hot track setting option, and press [Key 2] to enter the sub-menu.
- Press [Key 1]/[Key 3] to move the cursor to select "Off" or "On".
- Press [Key 2] to save and return to the previous page.

10. Self-activated Recording

Recoil-activated recording provides an ongoing 20-second loop, when recoil is detected, the video is automatically moved to the Micro SD card.

- Press [Key 4] to enter the menu, press [Key 3] to move the cursor to the self-activated recording setting, and press [Key 2] to enter the sub-menu.
- Press [Key 1]/[Key 3] to select "OFF", "ON" and "Impact Sensitivity" options

(1)After selecting "Off" or "On", press [Key 2] to save and return to the previous page.

(2)After selecting "Impact Sensitivity", press [Key 2] to enter the sub-option menu of sensitivity level. Press [Key 1]/[Key 3] to select "Off", "Low", "Medium" or "High" mode. Press [Key 2] to save and return to the previous page.

11. Auto Power Off

After selecting your preferred time duration, the device will sense the last point of operation before beginning the shutdown. Auto power off will start after the device has been idle then it automatically triggers the auto power off command.

- Press [Key 4] to enter the menu, press [Key 3] move the cursor to select the auto power off setting, and press [Key 2] to enter the sub-menu.

- Press [Key 1]/[Key 3] to select "Off", "One minute", "Ten minutes" or "Thirty minutes" duration options. After selection, press [Key 2] to save and return to the previous page.

12. Auto Recording

After auto recording is on, device will start recording and continue to record after the next startup.

- Press [Key 4] to enter the menu, press [Key 3] to move the cursor to the auto recording setting option and press [Key 2] to enter the sub-menu.
- Press [Key 1]/[Key 3] to select "Off" or "On" options, press [Key 2] to save and return to the previous page.

13. Loop Recording

Users can customize the segment recording duration. This can be set up under loop recording. When the capacity of the memory card is full, the new recording will automatically overwrite the previous saved files. When you select "Off", the recording will stop when the memory card is full, and the oldest video file will not be overwritten.

- Press [Key 4] to enter the menu, press [Key 3] to move the cursor to the loop recording setting option, and press [Key 2] to enter the sub-menu.
- Press [Key 1]/[Key 3] to move the cursor to select preferred loop time duration "Off", "Three minutes", "Five minutes" or "Ten minutes". Press [Key 2] to save and return to the previous page.

14. Date Stamp

Users can set whether to display the time stamp in the lower right corner of photos and videos taken.

- Press [Key 4] to enter the menu, press [Key 3] to move the cursor to the date stamp setting option, and press [Key 2] to enter the sub-menu.
- Press [Key 1]/[Key 3] to move the cursor to select "Off" or "On" options. After selection, press [Key 2] to save and return to the previous page.

15. Record Audio

User can set whether to record audio synchronously in the video.

- Press [Key 4] to enter the menu, press [Key 3] to move the cursor to the recording audio setting option, press [Key 2] to enter the sub-menu.
- Press [Key 1]/[Key 3] to move the cursor to select "Off" or "On" option, after selection, press [Key 2] to save and return to the previous page.

16. WiFi

Through the WiFi connection, you can use your phone, PC or tablet as an external viewfinder enabling users to synchronously see the photos and videos on a larger screen.

- Press [Key 4] to enter the menu, press [Key 3] to move the cursor to the WiFi setting option, and press [Key 2] to enter the sub-menu.
- Press [Key 1]/[Key 3] to move the cursor to select "On" or "Off" option.
 - (1) Press [Key 2] to select "Off", and return to the previous page.
 - (2) Press [Key 2] to select "On" to enable WiFi and return to the home screen.

Steps to connect to your mobile device:

- Download "PardVision2" from the Apple App Store or the Google Play Store.
- Turn on the WiFi on your device and on your mobile device.

- Search the WiFi on your mobile device (the device WiFi network is a string of characters
- starting with PARD, which is a unique string of numbers). Please enter the password: 12345678 to connect.

Enter the application to operate and use.

Note: After the WiFi is turned on, you cannot access the menu. Press and hold [Key 1] to disable the WiFi and then enter the menu interface.

17. Language

Users can choose their preferred language.

- Press [Key 4] to enter the menu, press [Key 3] to move the cursor to the language setting
- option, press [Key 2] to enter the sub-menu.

Press [Key 1]/[Key 3] to move the cursor to select the desired language. Press [Key 2] to save and return to the previous page.

18. ICON Display

Users can choose their preferred language.

- Press [Key 4] to enter the menu, press [Key 3] to move the cursor to the ICON Display option, press [Key 2] to enter the sub-menu.
- Press [Key 1]/[Key 3] to move the cursor to select among "On", "30 SEC", "1MIN", "3MIN", "5MIN" and "10MIN".
- Press [Key 2] to save the option and return to the previous page.

19. Date/Time

Users can set the system date and time of the device.

- Press [Key 4] to enter the menu, press [Key 3] to move the cursor to the date/time setting option, press [Key 2] to enter the sub-menu.

- Press [Key 1]/[Key 3] to adjust the setting date and time value, press [Key 2] to switch options, press [Key 4] to save and return to the previous page.

20. Format

If users want to reformat the Micro SD Card, it will delete all the data on the Micro SD card permanently. Data cannot be recovered after reformatting. **Please operate with caution!**

- Press [Key 4] to enter the menu, press [Key 3] to move the cursor to the format setting option, and press [Key 2] to enter the sub-menu.
- Press [Key 1]/[Key 3] to move the cursor to select "Cancel" or "OK" option. After selection, press [Key 2] to confirm the operation and return to the previous page.

21. Blind Pixel Compensation

The blind pixel compensation algorithm enables effective compensation for blind spots that didn't respond to temperature and also reduces image distortion.

- Press [Key 4] to enter the menu, press [Key 3] to move the cursor to the blind pixel compensation option, click [Key 2] to enter it and you will see a prompt:
 - ① Please put on lens cap;
Long press the ok key to execute;
Short press the menu key to exit;
- Operate as prompts

22. Default Settings

If users decide to reset the device, it will restore the device to the factory default settings and all of the user data and personalized settings will be deleted. Please operate with caution!

- Press [Key 4] to enter the menu, press [Key 3] to move the cursor to restore default setting option, press [Key 2] to enter the sub-menu.
- Press [Key 1]/[Key 3] to move the cursor to select "Cancel" or "OK" option. After selection, press [Key 2] to confirm the relevant operation and return to the previous page.

23. Firmware Upgrade

System firmware can be updated to maintain an optimized current version.

- Press [Key 4] to enter the menu, press [Key 3] to move the cursor to the firmware upgrade option, and press [Key 2] to enter the sub-menu. You will see an important reminder: Upgrading firmware may cause damage to the equipment, please operate with caution!
- Press [Key 1]/[Key 3] to confirm and short press [Key 4] to exit and return to the previous page.

Note: When performing this operation, please load the device with a fully charged battery and type-C power supply. Powering off the device during the firmware update process may cause damage to the device components. Please operate with caution.

24. Version

This function displays the device's version.

- Press [Key 4] to enter the menu, press [Key 3] to move the cursor to the version option, press [Key 2] to enter the sub-menu to view.
- Press [Key 4] to exit and return to the home page.

FCC WARNING

This device complies with part 15 of the FCC Rules. Operation is subject to the following two conditions:

- (1) This device may not cause harmful interference, and
- (2) this device must accept any interference received, including interference that may cause undesired operation.

Note: This equipment has been tested and found to comply with the limits for a Class B digital device, pursuant to part 15 of the FCC Rules. These limits are designed to provide reasonable protection against harmful interference in a residential installation. This equipment generates, uses and can radiate radio frequency energy and, if not installed and used in accordance with the instructions, may cause harmful interference to radio communications. However, there is no guarantee that interference will not occur in a particular installation. If this equipment does cause harmful interference to radio or television reception, which can be determined by turning the equipment off and on, the user is encouraged to try to correct the interference by one or more of the following measures:

- Reorient or relocate the receiving antenna.
- Increase the separation between the equipment and receiver.
- Connect the equipment into an outlet on a circuit different from that to which the receiver is connected.
- Consult the dealer or an experienced radio/TV technician for help.

Note: The Grantee is not responsible for any changes or modifications not expressly approved by the party responsible for compliance, such modifications could void the user's authority to operate the equipment. The device has been evaluated to meet general RF exposure requirement. This equipment complies with FCC's RF radiation exposure limits set forth for an uncontrolled environment. This device and its antenna(s) must not be co-located or conjunction with any other antenna or transmitter.