

Hornady
Accurate. Deadly. Dependable.



INSTRUCTIONS

Lock-N-Load[®]
Classic[™]
Metallic Press

Instructional videos for Hornady[®] reloading products are available at hornady.com.

Item No.
085001

*Photo shows optional
Automatic Primer Feed
(Item No. 070905)
Shell Holder and Die

PRODUCT SERIAL NUMBER AND REFERENCE INFORMATION

You must register your product in order to obtain warranty service. In the event you should need service for your product, please note the following information:

Serial Number _____

Date Purchased _____

Retailer _____

WARNING: PRIMERS WILL EXPLODE!

1. Keep away from children.
2. Do not smoke near primers.
3. Primers are designed to explode and will do so when subjected to heat or percussion.
4. Always wear safety glasses when handling primers.
5. **DO NOT** force primers. All primers in the near vicinity of an exploding primer will usually also detonate violently. Do not store or handle primers in bulk.
6. For identification and safety, keep primers in their original protective packaging.
7. An absolute minimum of primers should be kept at the loading operation. Open only one package tray at a time.
8. Do not decap live primers.
9. Never attempt to seat, or reseal, a primer in a loaded round.

WARRANTY

All Hornady reloading tools and accessories are warranted against material defects and workmanship.

Hornady electronic components are covered by a one-year warranty from the date of purchase.

This warranty is void if the product (1) has been damaged by accident or unreasonable use, neglect, improper service or other causes not arising out of defects in material or workmanship; or (2) has been altered or repairs have been made or attempted by other than authorized factory personnel; (3) is used commercially; or (4) has been altered or defaced in any way.

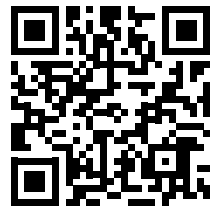
This warranty supersedes all other warranties for Hornady products either written or oral. No other warranty is expressed or implied.

PRODUCT REGISTRATION AND SERVICE

You must register your product to obtain Warranty Service. Complete the registration form at hornady.com/warranties.

TO RECEIVE WARRANTY SERVICE

To report a warranty claim, call Hornady® at 800-338-3220 to request a return authorization number. Returns will not be accepted without prior return authorization by Hornady.®



Scan to register your product to receive the full benefit of its warranty.

POST-WARRANTY SERVICE INFORMATION

For issues concerning service after the Limited Warranty expires, contact Hornady® at 800-338-3220.

PARTS LIST

Item	Part No.	Quantity	Description
1	392301	1	Bushing Press LNL
2	190214	1	Frame
3	480090	1	Primer Catcher
4	480003	1	Knob Handle
5	390657	1	Handle
6	392340	2	AP Yoke Pin
7	390071	2	Link
8	380053	1	Spring Shell Holder
9	392368	4	Clip C C-50
10	390661	1	Pin Roll 3/32 x 5/8 Slotted
11	390697	1	Ram
12	390072	1	Pin Dowel 5/16 x 2
13	190215	1	Toggle
14	390027	1	Nut Jam 5/8-18
15	392424	4	Spring Washer

POSITIVE PRIMING SYSTEM (PPS) SHOWN BELOW

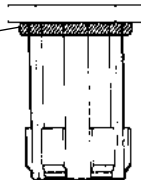
16	390035	1	Large Primer Punch
	390034	1	Small Primer Punch
17	390006	1	Large Primer Cup
	390005	1	Small Primer Cup
18	390007	1	Primer Cup Spring
19	190213	1	Primer Arm

Lock-N-Load® Die Bushing

Part No. 392302

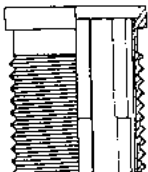
O – Ring

Part No. 392303



Lock-N-Load® Press Bushing

Part No. 392301



Lock-N-Load® Die Bushings

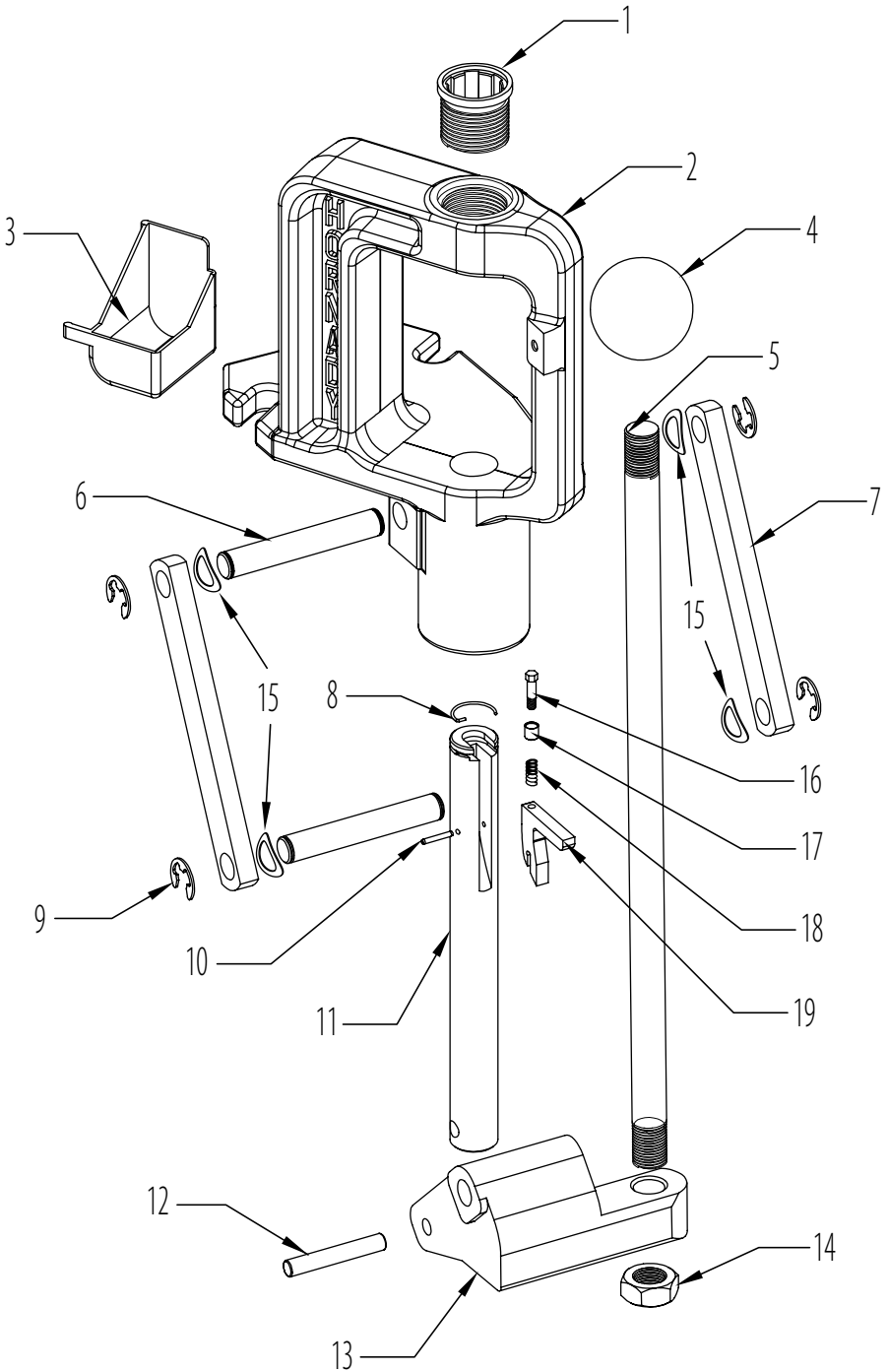
Lock-N-Load® die bushings are available in convenient packs of two, three, or ten. Put a Lock-N-Load® die bushing on all of your favorite dies for maximum reloading efficiency.

Lock-N-Load® Die Bushings (2-pack) No. 044094

Lock-N-Load® Die Bushings (3-pack) No. 044093

Lock-N-Load® Die Bushings (10-pack) No. 044096

EXPLODED VIEW



INSTRUCTIONS

1 **Mount your new press securely to a solid level bench.**

Position the press on the bench with the mounting holes far enough back to provide firm support and still allow clearance for the toggle.



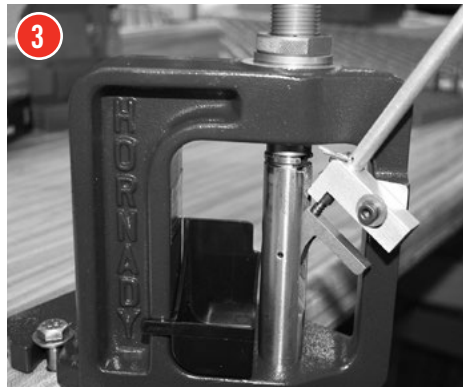
2 **Select a shell holder for the cases you will be reloading.**

It is retained in the recess in the top of the ram by a detent spring. The spring may at first prevent easy change in the shell holder, but it will smooth out with a few changes. The detent spring is easily damaged, so use extreme care if you must remove it. Refer to pages 10-11 for installing and using Lock-N-Load® Bushings.



3 **Insert and adjust the sizing die.**

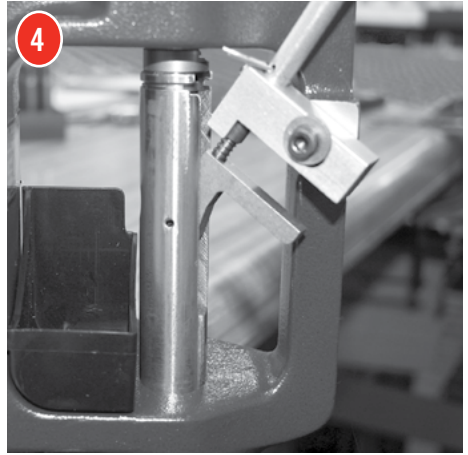
Take note, these presses slightly cam over to allow you to exert maximum pressure with reduced effort. Screw die down until it is firmly against the shell holder. The sizing die must be set when the ram is at the top of the stroke and not after the ram has cammed over.



4 Install primer arm into ram.

NOTE: Screw the proper seater punch/cup for the type of primer you are using into the arm before placing in ram. If you are using the automatic primer feed, it will be necessary to adjust the feed body. The ram should be at the top of the stroke. Adjust the primer feed body so the primer retainer spring is deflected by the primer cup (on the primer arm) far enough to allow a primer to drop (see APF instruction). Do not overtighten the adjusting screw. It should be tight enough to hold the unit in place, but still allow the body to move to prevent a primer from being caught or crushed.

REMEMBER, primers are explosives – do not try to force a primer in a case. If for some reason the Positive Priming System (PPS) does not work properly, stop to see why. Never try to force the operation.



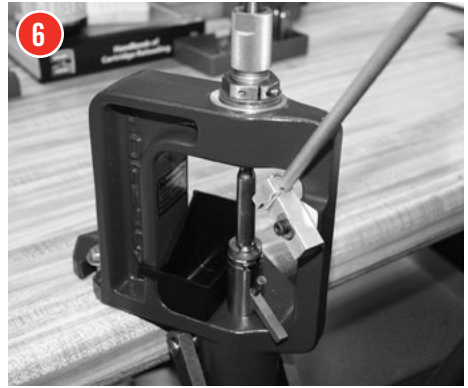
5 Clean, inspect and lubricate all cases before resizing.

Using a case lube pad or Hornady® One Shot® Case Lube, it is easy to lubricate the body portion of the bottle neck cases. A minimum of lubricant should be used on the neck portion since trapped lubricant may cause the shoulder to buckle. Very little or no lubricant may easily result in a stuck case.



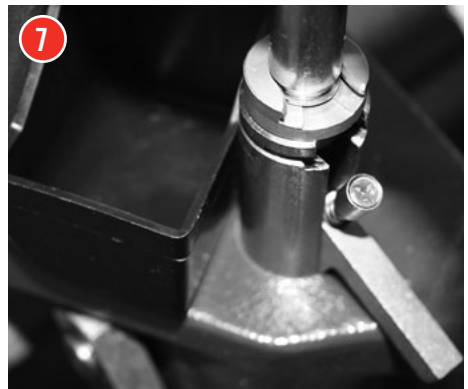
6 Place a lubricated case in the shell holder and pull the operating handle.

As the ram moves upward, you will see the PPS primer arm pivot forward to allow the decapped primer to deflect off the arm into the primer catcher. As the primer arm pivots, it moves into position to pick up a new primer. If you are not using the automatic primer feed, a primer should be inserted by hand at the top of the ram stroke.



7 With a primer in the cup, return the handle to the rest position.

As the ram moves downward, the PPS primer arm pivots back into position under the decapped case and is held in position by the ram and the frame casting. As the ram continues downward, the case is brought down over the primer cup and the primer is seated. Use care at this stage to feel the primer “seat” correctly without being crushed. Release pressure on the operating handle and raise it slightly to allow removal of the primed case. Then insert another case and repeat the operation.



8 Check case length (for cases to be crimped) and trim with Hornady Case Trimmer.

Chamfer inside and debur outside of case mouth with Hornady Chamfering and Deburring tool, and wipe case free of all lubricant with clean dry cloth.

Please Note: Sizing before trimming can result in Case Mouth not fitting over the Trimmer Pilot.



9 Charge prepared cases with selected powder

and weigh using either a scale, or powder measure in conjunction with a scale. Refer to the *Hornady Handbook of Cartridge Reloading* or any other reputable source for proper loads.



10 Replace the sizing die with the seating die according to instructions furnished with the die set.

simplify bullet seating. The arm is slotted and is easily removed by lifting it up and out of the arm. The opening in your press is large enough to easily handle any modern cartridge with no difficulty.



HOW LOCK-N-LOAD® WORKS

The Lock-N-Load® Reloading System is Hornady's unique bushing system that lets you change dies with a simple flick of the wrist. With Lock-N-Load® technology in your reloading press, you can stop loading, change dies, and start loading another caliber in SECONDS. If you load more than one caliber, Lock-N-Load® will dramatically speed up your reloading efforts.

This unique technology is featured on our Lock-N-Load® Classic™ and Lock-N-Load® AP™ (Auto Progressive) reloading presses.

The Hornady Lock-N-Load® system is as easy as 1-2-3:

- 01** Insert the Lock-N-Load® die bushing into the press bushing and lock it into place with a twist. The six locking lugs on the die and press bushings will hold it securely in position.
- 02** Insert your standard die into the Lock-N-Load® Bushing.
- 03** Adjust the die to the proper position and lock your setting into place with Hornady's unique Sure-Loc™ Lock Ring.

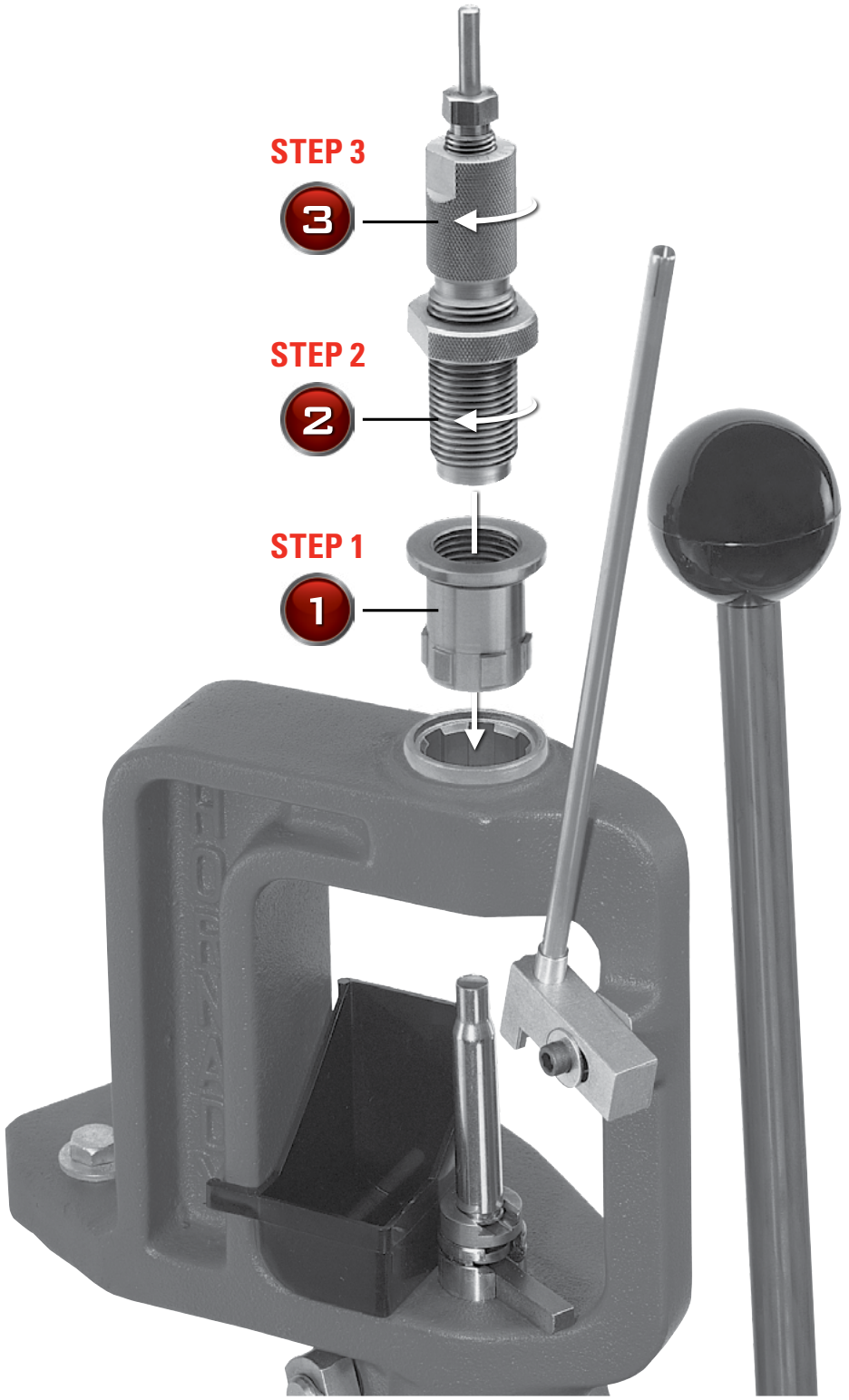
To change calibers, simply twist the die counterclockwise, remove die and insert your next preset Lock-N-Load® die and bushing. Because they remain locked in their Lock-N-Load® Bushings, your dies will remain exactly as you set them. The positive locking action of the Lock-N-Load® Bushings holds the dies in rock solid, perfect alignment. Once you try Lock-N-Load® from Hornady, you'll NEVER want to go back to your old system.

SIX LOCKING LUGS

The combination of the six lugs and the close tolerance of the tooling firmly grip the die bushing in place in the press for maximum rigidity and accuracy in reloading.

RUBBER O-RING ON DIE BUSHING

The O-ring on our die bushings gives you a better feel when the die is inserted and holds the die tight against the locking lugs to prevent accidental loosening.





P.O. Box 1848, Grand Island, NE 68802-1848
hornady.com/contact