

**HUNTER**

**3-15X44**



**USER MANUAL**



## **WELCOME TO TEAM APEX!**

**Thank you for purchasing this  
quality riflescope designed, tested  
and supported by a Canadian company.**

**If you need help with your new purchase  
or just want to drop us a line, we're always  
ready to listen.**

## **TABLE OF CONTENTS**

<b>THE APEX STORY / ABOUT YOUR NEW RIFLESCOPE</b>	<b>2, 3</b>
<b>FEATURES</b>	<b>4-5</b>
<b>TECHNICAL SPECIFICATIONS</b>	<b>6</b>
<b>CARE INSTRUCTIONS</b>	<b>7</b>
<b>RETICLE INFORMATION</b>	<b>8-9</b>
<b>ILLUMINATION CONTROLS</b>	<b>10</b>
<b>MOUNTING INSTRUCTIONS</b>	<b>11</b>
<b>SETTING UP AND ZEROING</b>	<b>12</b>
<b>LOCKING ZERO-STOP TURRET</b>	<b>13</b>
<b>COMPETITION THROW LEVER</b>	<b>14</b>
<b>PARALLAX ADJUSTMENT</b>	<b>15</b>
<b>TROUBLESHOOTING</b>	<b>16</b>
<b>WARRANTY &amp; SUPPORT</b>	<b>17</b>

## THE APEX STORY

Apex Optics is a Canadian sporting optics company based in Calgary, Alberta.

Our team is made up of competitive sport shooters and professionals who specialize in project management, engineering, manufacturing and CAD. We are also aided by several of the top competitive shooters and hunters in Canada when it comes to product design, prototyping, and testing.

**“We started Apex in order to make the products that we’d want to use, at a price point that we thought was fair and within reach to everyone.”**

The founders of the company have been involved in competitive shooting sports for years and know what it takes to win. You need solid, top-quality products, and a company that will stand behind them and each and every one of its customers. We’re glad that you found us, welcome to the team!

## **ABOUT YOUR NEW RIFLESCOPE**

**Your new riflescope is a precision-machined and expertly assembled guidance system for your rifle.**

**It was specifically intended for hunters and shooters that are used to exposed tactical-style turrets, such as those that shoot “PRS” or “NRL” styled timed action shooting disciplines.**

**Every part of the riflescope was designed to last a lifetime of normal use, from the stainless steel turret internals, the Type III anodized and hardened 30mm one-piece tube, to the premium Extremely Low Dispersion (ED) multi-coated glass. They were specifically selected to give you the best chance possible at hitting the target downrange, each and every time.**

**Let’s turn to the next page for a breakdown of all of the features on your new riflescope.**

# FEATURES



\* Illuminated Model Only

## FEATURES

- 10 MRAD per turn Elevation Turret with Locking Zero-Stop
- Proprietary glass-etched Apex HLR™ (Hunter Long Range) reticle
- 6 Levels of illumination (Red) on the Main Stadia With an "OFF" position between each setting\*
- The first-in-industry see-through integrated & removable throw lever
- 0.1 MIL windage and elevation adjustment per click
- Fast-Focus Eyepiece (+3/-2)
- Designed in Canada, Made in Japan

**INCLUDED IN THE BOX: CUSTOM-MOLDED FLIP-UP COVERS, REMOVABLE THROW LEVER, ARD SHADE LENS CLOTH, SCOPE WRENCH, MANUAL**

\* Illuminated Model Only

## TECHNICAL SPECIFICATIONS

<b>Tube Diameter</b>	30mm	<b>Reticle Type</b>	Glass Etched
<b>Objective Lens</b>	44mm	<b>Elevation Adjustment</b>	20 MIL
<b>Magnification</b>	3-15x	<b>Windage Adjustment</b>	20 MIL
<b>FOV @ 100y</b>	38.3ft - 7.6ft	<b>MILs/Rotation</b>	10E / 10W
<b>Eye Relief</b>	3.54" - 3.93" (90-100mm)	<b>Turret Rotation</b>	CCW
<b>Exit Pupil</b>	16.7mm - 3.3mm	<b>Illumination Color</b>	Red*
<b>Parallax Range</b>	10 yards to Infinity	<b>Illumination Levels</b>	6 w/ On-Off
<b>Glass Type</b>	Apochromatic ED Lens System	<b>Length</b>	13.75" (349mm)
<b>Light Transmission</b>	99.7% per lens	<b>Weight</b>	26oz*/24oz   738g*/680g
<b>Focal Plane</b>	First (FFP)	<b>Mounting Length</b>	6.25" (158mm)

\* Illuminated Model Only

## CARE INSTRUCTIONS

Disassembling or cleaning the scope internally will void the warranty. If the scope requires repairs, please refer to the Warranty section for comprehensive instructions on what to do next.

The external optical surfaces should occasionally be wiped clean. Use the lens cloth provided or an optical quality lens paper to wipe out dust or light dirt on the external lens surface. If large sand particles or heavy dirt contamination are present, remove them by blowing away or using a soft brush before proceeding further.

**NEVER USE COMPRESSED AIR TO CLEAN LENSES! THIS WILL VOID THE WARRANTY**

If you choose to use a liquid for cleaning the lenses, only use a product specifically formulated for use on optical lenses. Apply lens cleaning liquid as per manufacturer instructions and wipe off gently.

Always keep the included lens covers in place when the scope is not in use to avoid dust collecting on the surface of the lenses. Store the unit in a low-humidity environment.



## RETICLE INFORMATION

This rifle scope is outfitted with our exclusive Apex Hunter Long Range (HLR) reticle.

This custom-designed reticle features a .25 MIL floating dot center, and an open-top half of the reticle with 4 MILs of negative elevation holdover marks.

We also included half-value elevation hold reference dots that you can use when engaging targets without dialing for elevation and wind.

Please see the next page for technical subtention values.



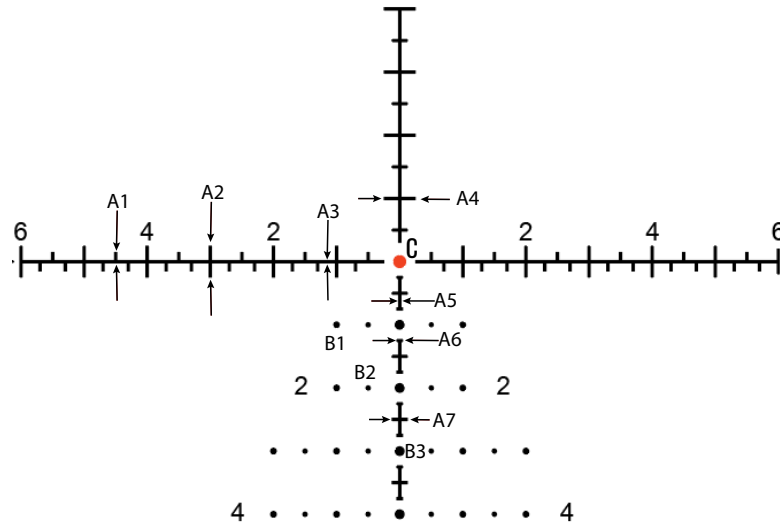
# RETICLE INFORMATION

A1	A2	A3	A4	A5	A6	A7
0.15	0.5	0.045	0.5	0.045	0.1	0.25

B1	B2	B3
0.1	0.08	0.15

C
0.25

HLR Reticle



ALL MEASUREMENTS  
ARE IN MILIRADIANS

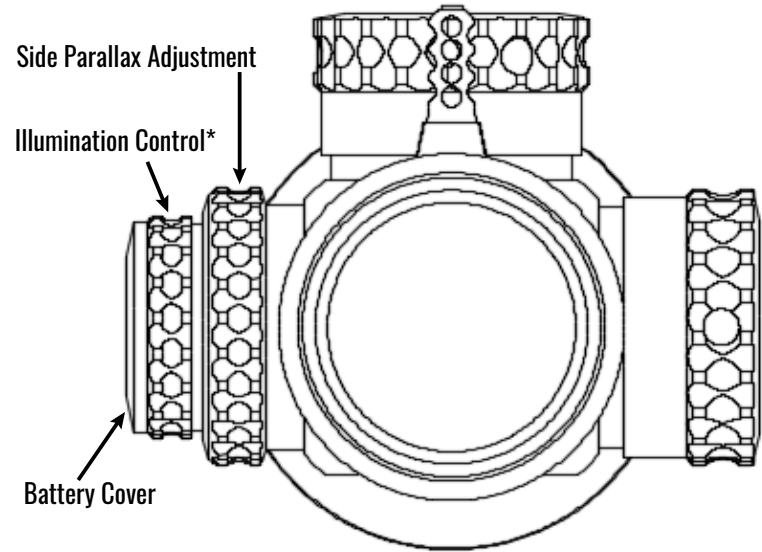
# ILLUMINATION CONTROLS

This riflescope features a variable intensity reticle illumination system to aid when shooting in low light situations.

The reticle brightness range can be adjusted from 1 through 6, with an OFF position, as indicated by a dot ●, between each ON position.

## REPLACING THE BATTERY

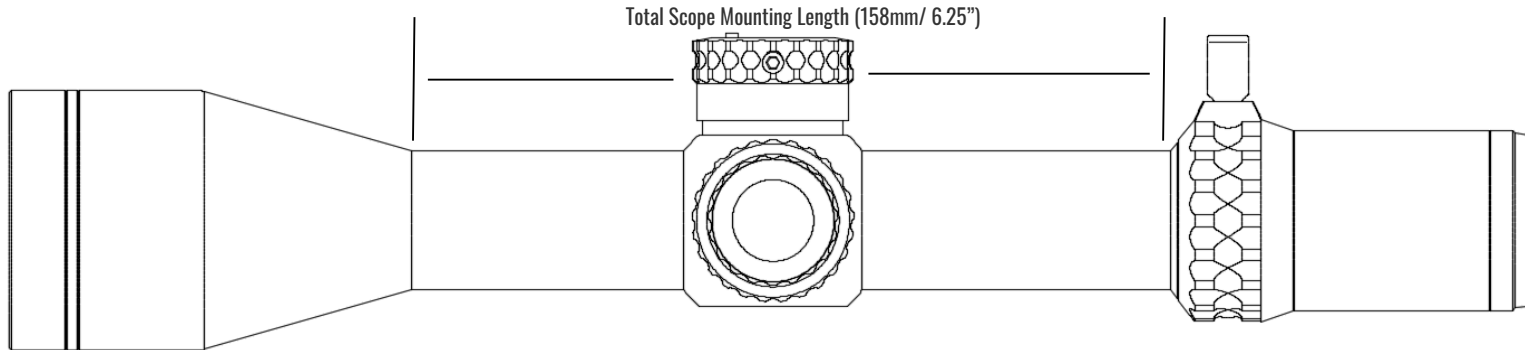
1. Unscrew the battery cover (CCW)
2. Remove the depleted battery
3. Replace with a new lithium CR2032 battery (positive side out)
4. Re-install the battery cap and be sure to fully close and tighten the cap



\*Illuminated Model Only

## MOUNTING INFORMATION

Always use high quality rings or one-piece mount that corresponds to the main tube diameter for the optic that you're trying to mount. In the case of this riflescope the tube diameter is 30mm so make sure that the mounting system matches this measurement.



### MOUNTING THE OPTIC TO A RIFLE

1. Mount the bottom ring halves (or mount) on the base of your rifle and tighten them to manufacturer's torque specification
2. Place the optic on the bottom ring halves and loosely install the upper ring halves so that it is able to move freely between the rings
3. Use an optic levelling mechanism (i.e. scope bubble level system OR optic leveling wedges) to ensure that the riflescope is level with the base
3. Before tightening the scope ring screws, adjust for sight picture clarity and maximum eye relief so as to avoid injury from recoil
4. Tighten the top-half of the rings per the torque specs of the rings or mount. **DO NOT EXCEED 25 IN/LBS**

## SETTING UP AND ZEROING

### FAST-FOCUS EYEPIECE

The specially designed Apex Fast-Focus eyepiece is available to help you quickly and easily adjust the focus of the reticle, with a total adjustment range from +3 to -2.

#### TO ADJUST THE RETICLE FOCUS:

1. Make sure that the rifle is safe and that the chamber is clear
2. Look through the scope on maximum magnification at a blank white wall or white paper
3. Turn the eyepiece in or out until the reticle image is as crisp as possible and that your eye is not straining to focus
4. Take your eye off the reticle for 30 seconds, and return to re-check the focus setting
5. Repeat as needed

### ZEROING YOUR RIFLESCOPE (100M ZERO)

**ALWAYS MAKE SURE THAT IT IS SAFE TO DISCHARGE A FIREARM IN THE AREA THAT YOU WILL BE ZEROING!**

1. Start the sight-in process at 25 meters.  
From a solid and supported rest fire a 3-shot group, ensuring that you aim at same spot each time
2. After the first 3-shot group, make adjustments to bring the bullet impact to center of target you're shooting at
3. Repeat this process at 100 meters and you will have an accurate 100 meter zero

**HOT TIP:** Use the same ammunition or handloaded rounds when zeroing that you will use in your rifle going forward. Your point of impact will change if you switch to different ammunition/load and you will have to re-zero.

# LOCKING ZERO-STOP TURRET

## SETTING THE ZERO-STOP TURRET

The elevation turret on your riflescope features an exceptionally designed locking Zero-Stop system.

### TO SET THE ZERO:

1. Make sure that the rifle is zeroed at desired distance (i.e. 100m)
2. Loosen the Set Screw on top of the turret and gently lift the cap off in an upward motion
3. With the turret cap removed, turn return the Zero Stop inner wheel to the ZERO position by moving it Clockwise until it stops
4. Re-affix the turret cap to the scope by aligning the 0 position to the triangle shaped indicator on the body of the scope, and push all the way down until it's in the "locked" position. Take special care to align the locking teeth properly.
5. Once it's in the locked position, re-install the Set Screw with the wrench and hand-tighten until firmly set \*\*no torque spec required



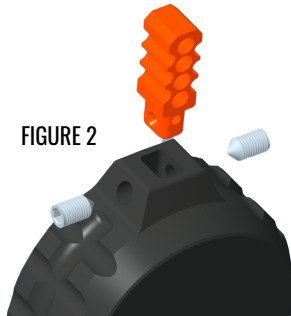
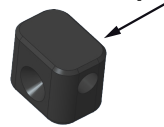
SET ZERO STOP BY ROTATING CLOCKWISE  
UNTIL MECHANISM STOPS

## REMOVABLE THROW LEVER

The removable throw lever included with your riflescope was specially designed to help with dialing to the desired zoom setting quickly during hunting shooting scenarios. It also features see through rings so as to not block your view downrange.

### TO INSTALL THE THROW LEVER:

1. Remove the aluminum plug from the zoom ring body, as shown in FIGURE 1, by removing the two set screws with the provided scope wrench (hex key), then lift out plug and place back in the product box or store securely elsewhere.



2. Replace the plug with the competition throw lever and re-install the two set screws (FIGURE 2). Hand tighten only; make sure not to overtighten.

REVERSE THE PROCESS TO REMOVE THE THROW LEVER AND RE-INSTALL THE PLUG

Lorem ipsum

# PARALLAX ADJUSTMENT

## WHAT IS PARALLAX?

Parallax describes a situation where the focal plane of the object being viewed slightly is offset from the reticle. If you have parallax, you have an optical illusion that must be corrected, otherwise your point of aim may be not be aligned with the intended point of impact.

**Parallax should not be confused with focus.**

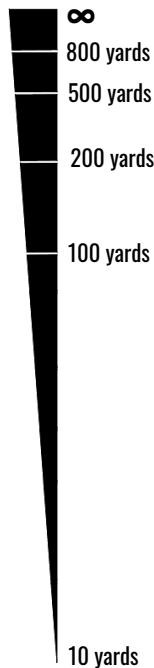
Parallax compensation changes neither the focus of the reticle, nor the focus of the image. When you adjust the parallax knob it moves the planes at which these two objects are in focus so that they share the same plane.

## PRE-SET DISTANCE INDICATORS

Every Apex riflescope comes with a wide range of adjustment for the parallax effect.

The distance gradient does not include any physical numbers, but rather interval marks that denote starting points for parallax adjustment.

Please see the chart to the right for your reference.





## **TROUBLESHOOTING**

- Problems thought to be associated with the scope are usually associated with mounting rather than the scope itself
- Take time to ensure the rings/mounts are tight to the rifle and that scope is secured and does not twist or move in the rings
- Ensure that the rifle's action screws are securely tightened and properly torqued against the chassis or stock
- Confirm that the correct base and size of rings are being used, are installed properly, and that the scope is level with action
- Be sure to torque rings and mounts per manufacturer's specifications
- If you are experiencing bad groupings be aware that there are many factors that can lead to that result
- Always utilize a solid rest and maintain good shooting technique and fundamentals
- Have a qualified gunsmith look over your rifle to be sure all components are in working order
- Ensure that the action and barrel are properly cleaned
- Some rifles and ammunition or handload combinations do not work well together; try different ammunition or load combination

## WARRANTY & SUPPORT



Every Apex Optics product is backed by a lifetime\* warranty. That is our oath to you! When things go unexpectedly or the product doesn't work as it should, you can have peace of mind knowing that our products carry a lifetime transferable warranty. Apex guarantees to repair or replace your product if damaged through normal use. No charge to you, no receipt or registration is required.

\* This warranty does not cover damages caused by deliberate damage or misuse, fire, flooding, theft, or maintenance provided by someone other than Apex Optics.

### CUSTOMER SUPPORT

If you need help with something or just want to tell us how much you love our products, we're always here to listen! Call or email us for product support, or reach out to us on our social channels.

**TOLL FREE:** 1-877-899-APEX (2739)  
**EMAIL:** [INFO@APEXOPTICS.CO](mailto:INFO@APEXOPTICS.CO)  
**WEB:** [HTTPS://APEXOPTICS.CO](https://APEXOPTICS.CO)



[apex\\_optics](#)



[apex\\_optics](#)



[apexsportoptics](#)

# NOTES



**APEX**

**OPTICS**

**CALGARY, ALBERTA, CANADA**

TOLL FREE: 1-877-899-APEX (2739)

EMAIL: [INFO@APEXOPTICS.CO](mailto:INFO@APEXOPTICS.CO)

WEB: [HTTPS://APEXOPTICS.CO](https://APEXOPTICS.CO)